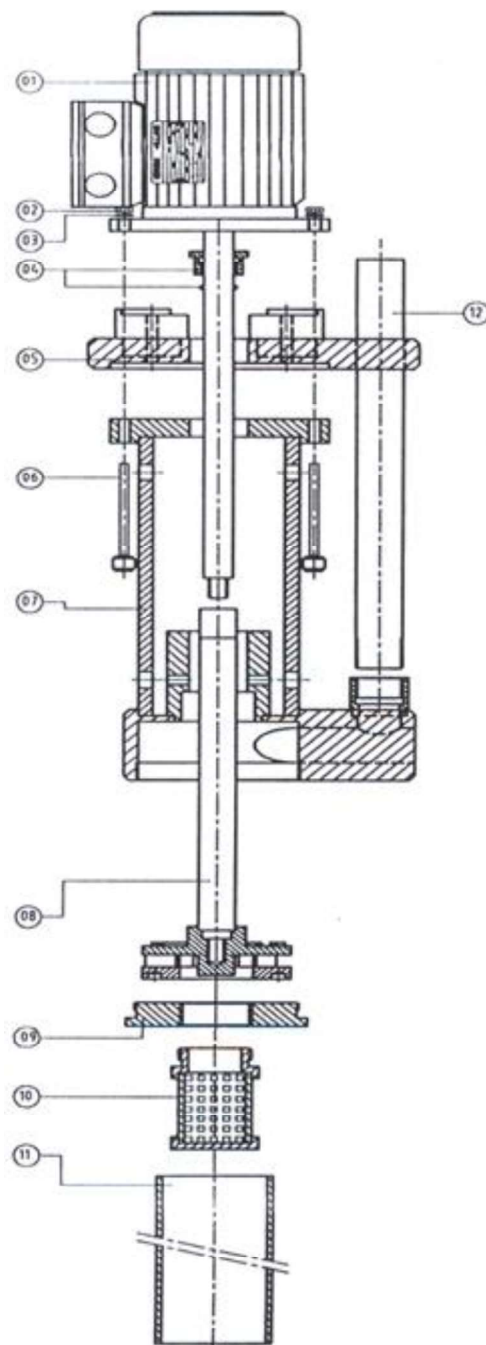
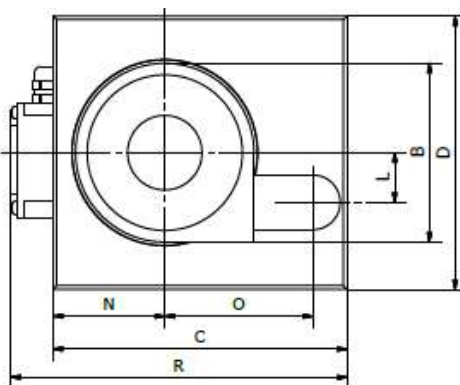
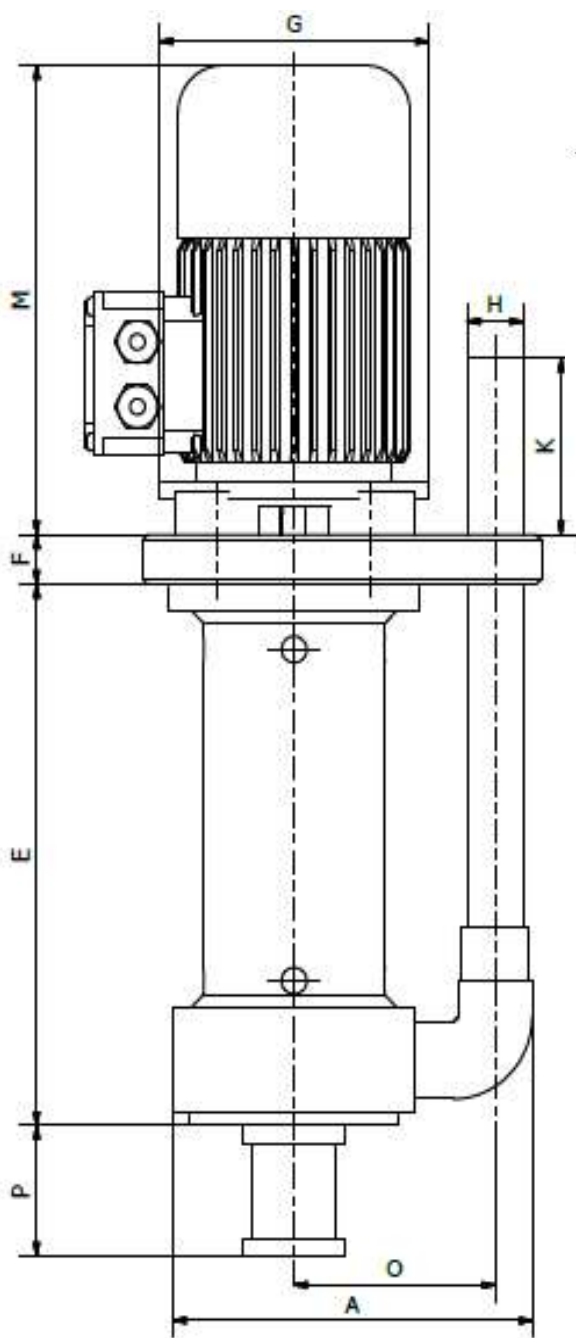


Dimension



1. Motor + shaft
2. Set of 4 nuts
3. Set of 4 washers
4. Splash cover + O-ring
5. Mounting plate
6. Set bolts
7. Pump housing
8. Impellor
9. Pump house cover
10. Suction strainer
11. Extension pipe
12. Discharge pipe

	A	B	C	D	E	F	G	H	K	L	M	N	O	P	R
CS270-018	180	100	220	170	270	25	90	20	70	0	155	85	110	0	170
CS300-018	195	144	227	220	300	25	150	32	70	40	200	90	110	60	232
CS300-025	195	144	227	220	300	25	150	32	70	40	200	90	110	60	232
CS300-037	195	144	227	220	300	25	150	32	70	40	225	90	110	60	232
CS300-055	195	144	227	220	300	25	150	32	70	40	225	90	110	60	232
CS400-075	245	180	285	240	370	25	200	40	70	45	225	115	130	80	287
CS400-110	245	180	285	240	370	25	200	40	70	45	225	115	130	80	287
CS400-150	245	180	285	240	370	25	200	40	70	45	240	115	130	80	287
CS400-220	250	180	285	240	390	25	200	50	70	45	290	115	130	80	287
CS400-300	250	180	285	240	390	25	200	50	70	45	290	115	130	80	287
CS400-400	250	200	307	240	370	25	200	63	70	45	320	115	142	80	322